

DETAIL A

4 Shelf

Material - 1.6mm Mild Steel

VAN WYK'S ELECTRICAL

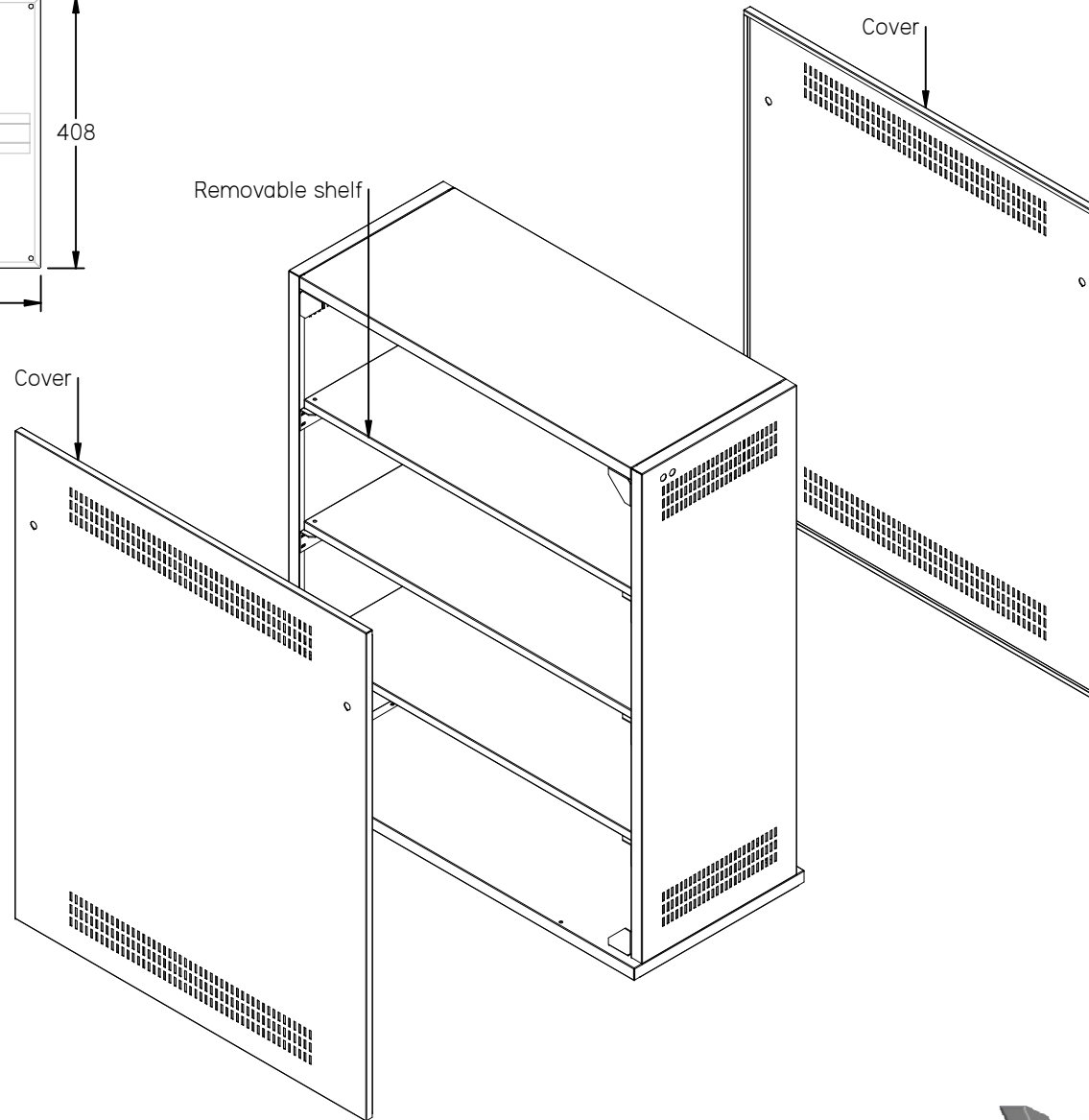
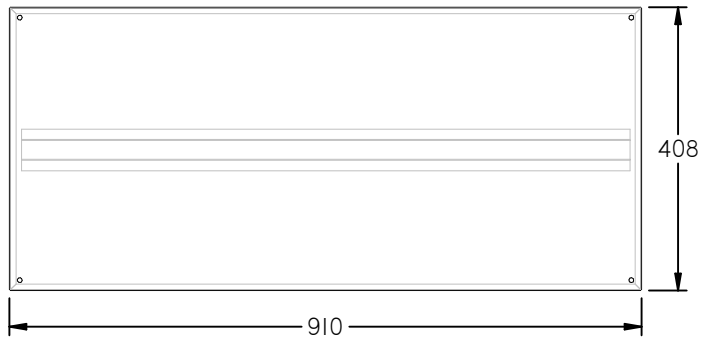
REG. Number 1983/007915/07 P.O. Box 14534
 141 Station Rd Farrarmere
 Brakpan 1518
 1541 TEL : 011 740 1238
 www.vwe.co.za FAX : 011 740 1268

C20 Battery Box

\\VANWYKSRV2\VWE_Primary\Customers\Specialised Battery Systems (ICOD)\Customer Standards\C20 Battery Box



shelf



VAN WYK'S ELECTRICAL

REG. Number 1983/007915/07 P.O. Box 14534
141 Station Rd Farrarmere
Brakpan 1518
1541 TEL : 011 740 1238
www.vwe.co.za FAX : 011 740 1268

C20 Battery Box

\\VANWYKSRV2\VWE_Primary\Customers\Specialised Battery Systems (ICOD)\Customer Standards\C20 Battery Box

